

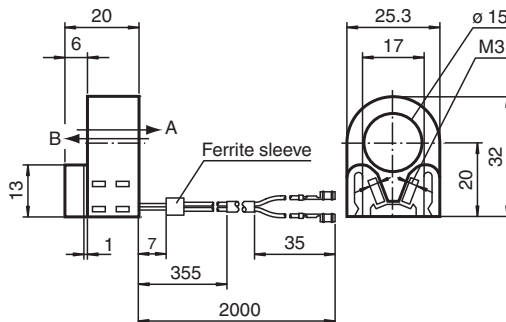
Inductive ring sensor

RC15-14-N3-Y187458

- 15 mm inside diameter
- Comfort series



Dimensions



Technical Data

General specifications	
Switching function	Normally closed (NC)
Output type	NAMUR, bistable
Inside diameter	15 mm
Measuring cone	6 mm, 1.4401
Passage speed	v ≤ 10 m/s
Output type	2-wire
Nominal ratings	
Nominal voltage	U _o 8.2 V (R _i approx. 1 kΩ)
Operating voltage	U _B 5 ... 25 V
Hysteresis	H typ. 1 %
Reverse polarity protection	reverse polarity protected
Current consumption	
Passage B U _B =8V	≥ 3 mA
Passage B U _B =10V	≥ 4.2 mA
Passage A U _B =10V	0.5 ... 1 mA typ. 0.9 mA
Passage A U _B =8V	0.5 ... 0.95 mA typ. 0.8 mA
Power ON	≥ 3 mA with U _B = 8 V ≥ 4.2 mA at U _B = 10
Time delay before availability	t _v ≤ 5 ms
Functional safety related parameters	
MTTF _d	2130 a
Mission Time (T _M)	20 a
Diagnostic Coverage (DC)	0 %
Compliance with standards and directives	
Standard conformity	
NAMUR	EN 60947-5-6:2000 IEC 60947-5-6:1999

Release date: 2023-01-27 Date of issue: 2023-01-27 Filename: 187458_eng.pdf

Refer to "General Notes Relating to Pepperl+Fuchs Product Information".

Pepperl+Fuchs Group
www.pepperl-fuchs.com

USA: +1 330 486 0001
fa-info@us.pepperl-fuchs.com

Germany: +49 621 776 1111
fa-info@de.pepperl-fuchs.com

Singapore: +65 6779 9091
fa-info@sg.pepperl-fuchs.com

PF PEPPERL+FUCHS

Technical Data

Standards	EN 60947-5-2:2007 EN 60947-5-2/A1:2012 IEC 60947-5-2:2007 IEC 60947-5-2 AMD 1:2012
Approvals and certificates	
ATEX approval	
Equipment protection level Gb	PTB 99 ATEX 2128 X
UL approval	cULus Listed, General Purpose
CSA approval	cCSAus Listed, General Purpose
Ambient conditions	
Ambient temperature	-25 ... 75 °C (-13 ... 167 °F)
Storage temperature	-40 ... 100 °C (-40 ... 212 °F)
Mechanical specifications	
Connection type	cable PVC , 2 m Crimp terminal sockets 60888-3, AMP
Core cross section	0.14 mm ²
Housing material	PBT
Degree of protection	IP67
Cable	
Bending radius	> 10 x cable diameter
Mass	36 g
General information	
Use in the hazardous area	see instruction manuals

Connection

